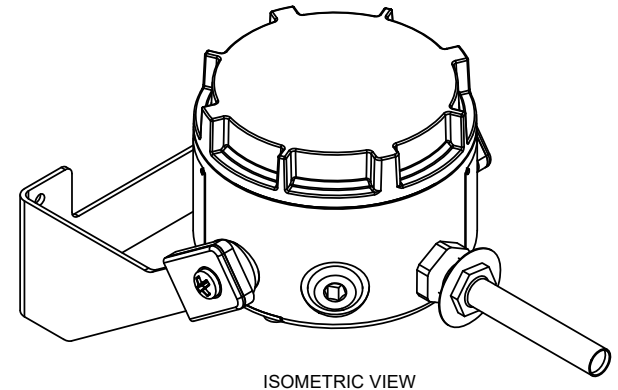
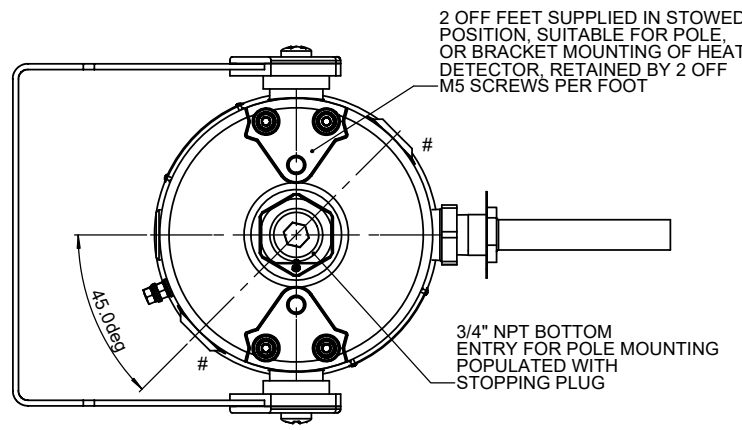
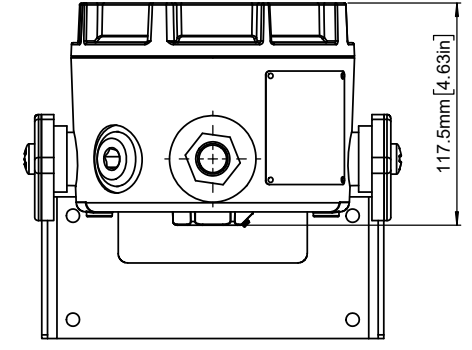
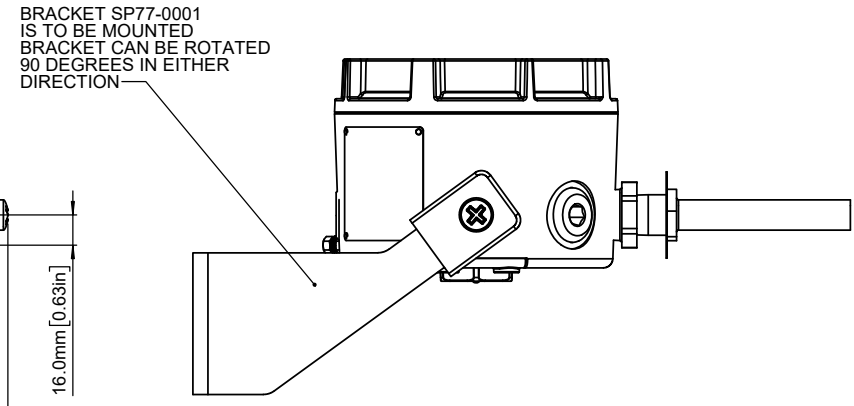
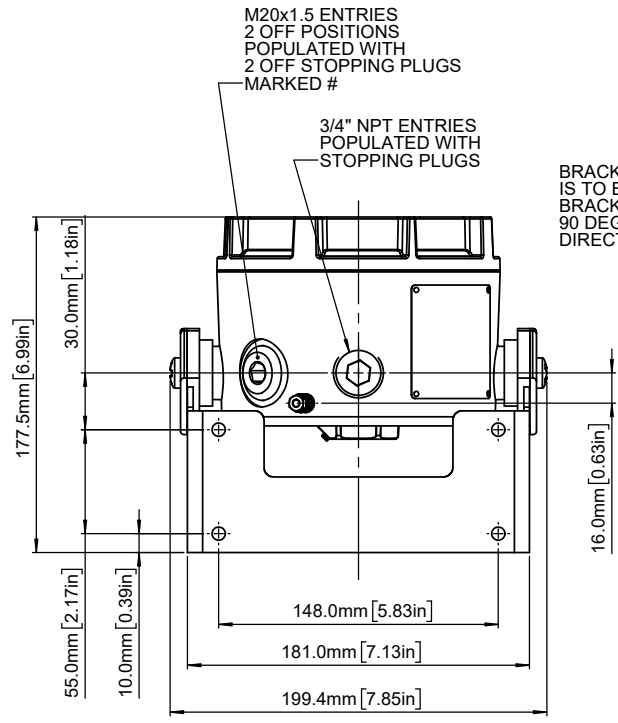
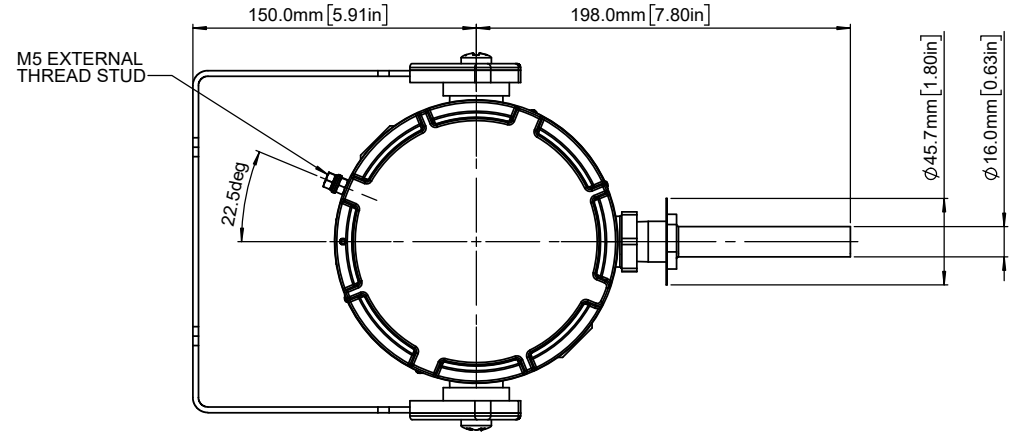


ISSUE	MOD No.	REASON - INITIAL - DATE
1		INTRODUCTION RNP 10-05-2024

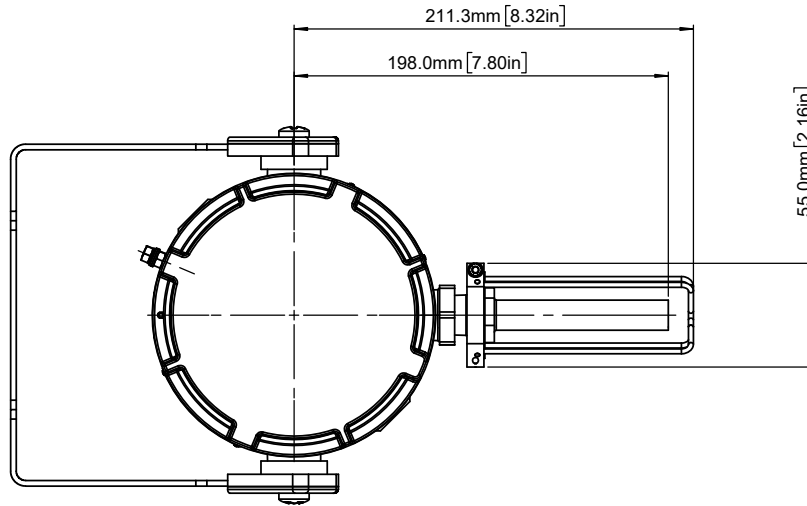
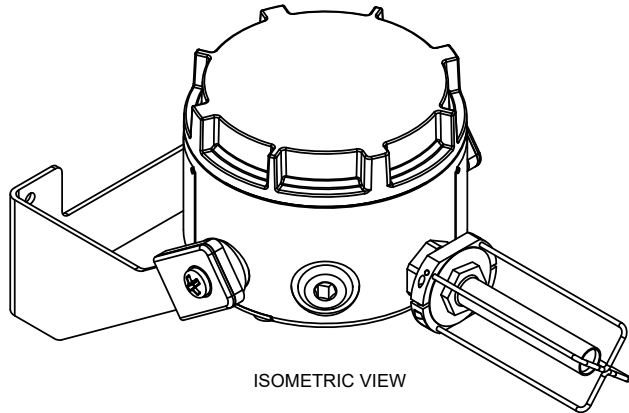


E2S PART No.	DESCRIPTION	DATA REFERENCE
D1xH1	D1xH1 HEAT DETECTOR	1-27-010

NOTE:-
FOR OPTIONAL DUTY LABEL SEE DRAWING D254-00-081
FOR OPTION TAG PLATE SEE DRAWING D254-00-151

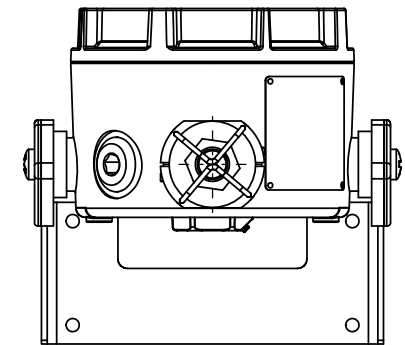
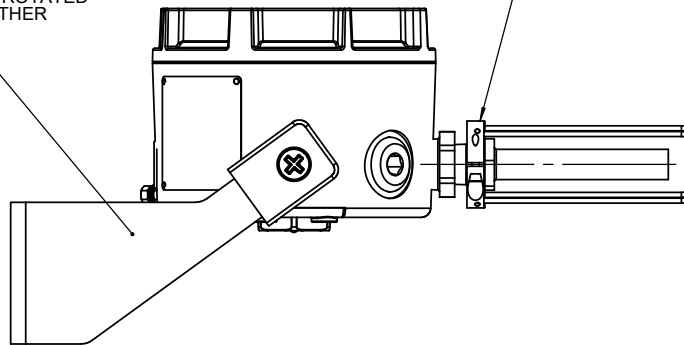
DRAWING TO BS8888:2000 GEOMETRIC TOLERANCES TO ISO1101:1983 LINEAR DIMENSIONAL TOLS ANGULAR DIMENSIONAL TOLS	DRAWN R.N.POTTS	DATE 10-05-2024	SURFACE FINISH	WEIGHT (kg)	THIS DRAWING AND ANY INFORMATION OR DESCRIPTIVE MATTER THEREIN IS COMMUNICATED IN CONFIDENCE AND IS THE COPYRIGHT PROPERTY OF EUROPEAN SAFETY SYSTEMS LTD. NEITHER THE WHOLE OR ANY EXTRACT MAY BE DISCLOSED, LOANED, COPIED OR USED FOR MANUFACTURING OR TENDERING PURPOSES WITHOUT THEIR WRITTEN CONSENT.	 EUROPEAN SAFETY SYSTEMS LTD IMPRESS HOUSE MANSELL ROAD ACTON LONDON W3 7QH WWW.E2S.COM	ALL DIMENSIONS IN MM IF IN DOUBT, ASK - DO NOT SCALE	 A2
	STANDARDS D1xH1	CHECKED R.RAIT	DATE 10-05-2024	MATERIAL			ALTERNATIVE MATERIAL	
	APPROVED R.N.POTTS	DATE 10-05-2024			 EUROPEAN SAFETY SYSTEMS LTD. AS PER LATEST DATE OF ISSUE SHOWN ABOVE			

ISSUE	MOD No.	REASON - INITIAL - DATE
1		INTRODUCTION RNP 10-05-2024



BRACKET SP77-0001
IS TO BE MOUNTED
BRACKET CAN BE ROTATED
90 DEGREES IN EITHER
DIRECTION

OPTIONAL HEAT DETECTOR GUARD
SHOWN FITTED
PART CODE GUARD OPTION [g] = G



E2S PART No.	DESCRIPTION	DATA REFERENCE
D1xH1	D1xH1 HEAT DETECTOR	1-27-010

NOTE:-
FOR OPTIONAL DUTY LABEL SEE DRAWING D254-00-081
FOR OPTION TAG PLATE SEE DRAWING D254-00-151

DRAWING TO BS8888:2000 GEOMETRIC TOLERANCES TO ISO1101:1983 LINEAR DIMENSIONAL TOLS ANGULAR DIMENSIONAL TOLS	DRAWN R.N.POTTS	DATE 10-05-2024	SURFACE FINISH	WEIGHT (kg)	THIS DRAWING AND ANY INFORMATION OR DESCRIPTIVE MATTER THEREIN IS COMMUNICATED IN CONFIDENCE AND IS THE COPYRIGHT PROPERTY OF EUROPEAN SAFETY SYSTEMS LTD. NEITHER THE WHOLE OR ANY EXTRACT MAY BE DISCLOSED, LOANED, COPIED OR USED FOR MANUFACTURING OR TENDERING PURPOSES WITHOUT THEIR WRITTEN CONSENT.	 EUROPEAN SAFETY SYSTEMS LTD IMPRESS HOUSE MANSELL ROAD ACTON LONDON W3 7QH WWW.E2S.COM	ALL DIMENSIONS IN MM IF IN DOUBT, ASK - DO NOT SCALE	 A2
	CHECKED R.RAIT	DATE 10-05-2024	MATERIAL	ALTERNATIVE MATERIAL			TITLE D1xH1 HEAT DETECTOR WITH BRACKET MOUNTING - OUTLINE DRAWING SCALE 1:1 SHEET 2 OF 2 DRAWING NUMBER D255-05-011	
STANDARDS D1xH1	APPROVED R.N.POTTS	DATE 10-05-2024	EUROPEAN SAFETY SYSTEMS LTD. AS PER LATEST DATE OF ISSUE SHOWN ABOVE		 C			