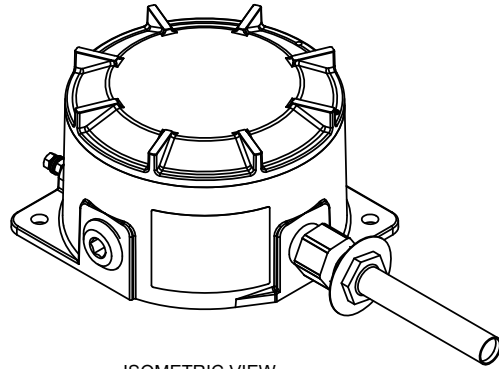


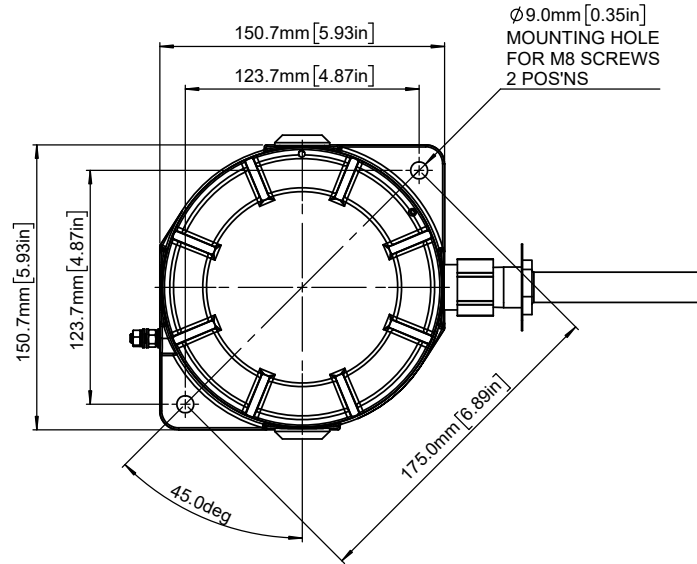
E2S PART No.	DESCRIPTION	DATA REFERENCE
STExH1	STExH1 HEAT DETECTOR	1-27-030

ISSUE	MOD No.	REASON - INITIAL - DATE
1		INTRODUCTION RNP 10-05-2024

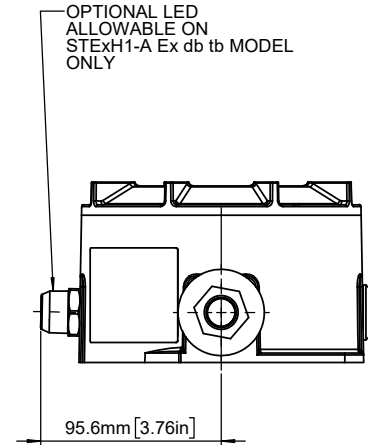
NOTE:-  
FOR OPTIONAL DUTY LABEL SEE DRAWING D254-00-081  
FOR OPTION TAG PLATE SEE DRAWING D254-00-151



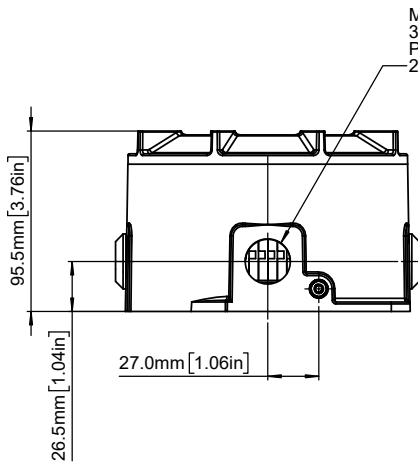
ISOMETRIC VIEW



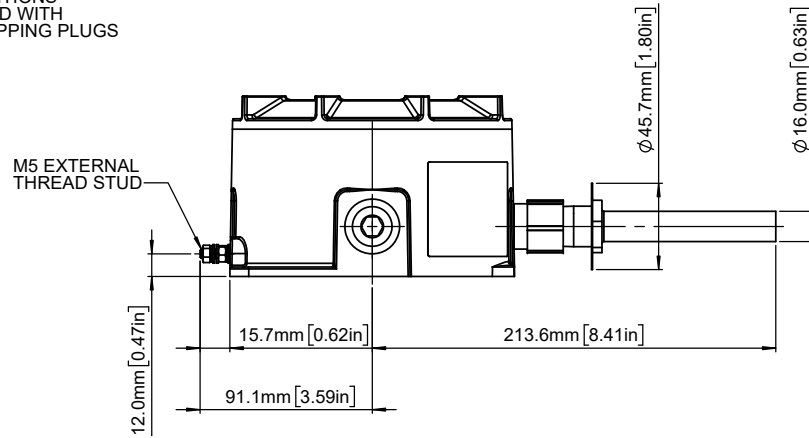
Ø9.0mm [0.35in]  
MOUNTING HOLE  
FOR M8 SCREWS  
2 POS'NS



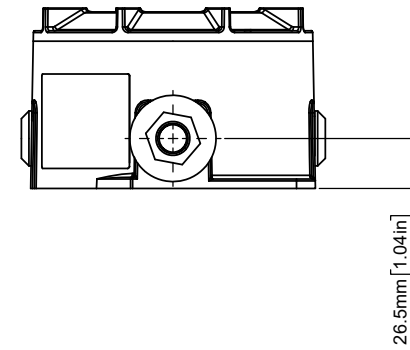
OPTIONAL LED  
ALLOWABLE ON  
STExH1-A Ex db tb MODEL  
ONLY



M20x1.5 ENTRIES  
3 OFF POSITIONS  
POPULATED WITH  
2 OFF STOPPING PLUGS



M5 EXTERNAL  
THREAD STUD



DRAWING TO BS8888:2000 GEOMETRIC TOLERANCES TO ISO1101:1983 LINEAR DIMENSIONAL TOLS ANGULAR DIMENSIONAL TOLS	DRAWN	DATE	SURFACE FINISH	WEIGHT (kg)
	R.N.POTTS	10-05-2024	MATERIAL	
	CHECKED	DATE	ALTERNATIVE MATERIAL	
STANDARDS	R.RAIT	10-05-2024		
STExH1	APPROVED	DATE		
	R.N.POTTS	10-05-2024		

THIS DRAWING AND ANY INFORMATION OR DESCRIPTIVE  
MATTER THEREIN IS COMMUNICATED IN CONFIDENCE AND  
IS THE COPYRIGHT PROPERTY OF EUROPEAN SAFETY  
SYSTEMS LTD. NEITHER THE WHOLE OR ANY EXTRACT MAY  
BE DISCLOSED, LOANED, COPIED OR USED FOR  
MANUFACTURING OR TENDERING PURPOSES WITHOUT THEIR  
WRITTEN CONSENT.

EUROPEAN SAFETY SYSTEMS LTD.  
AS PER LATEST DATE OF ISSUE SHOWN ABOVE

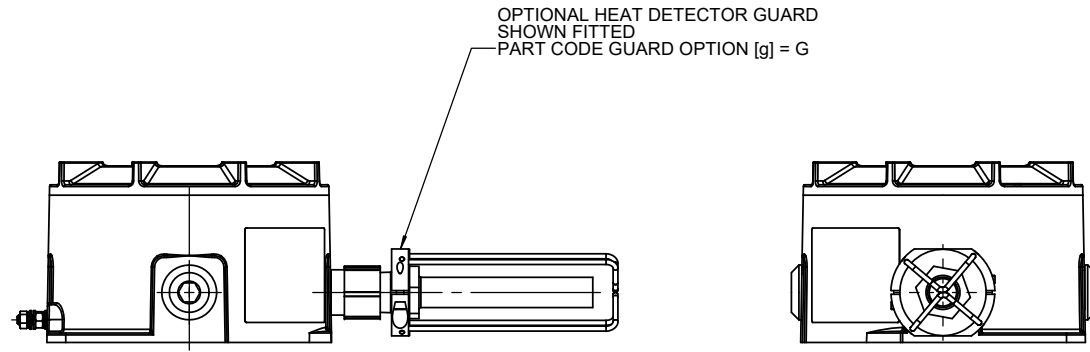
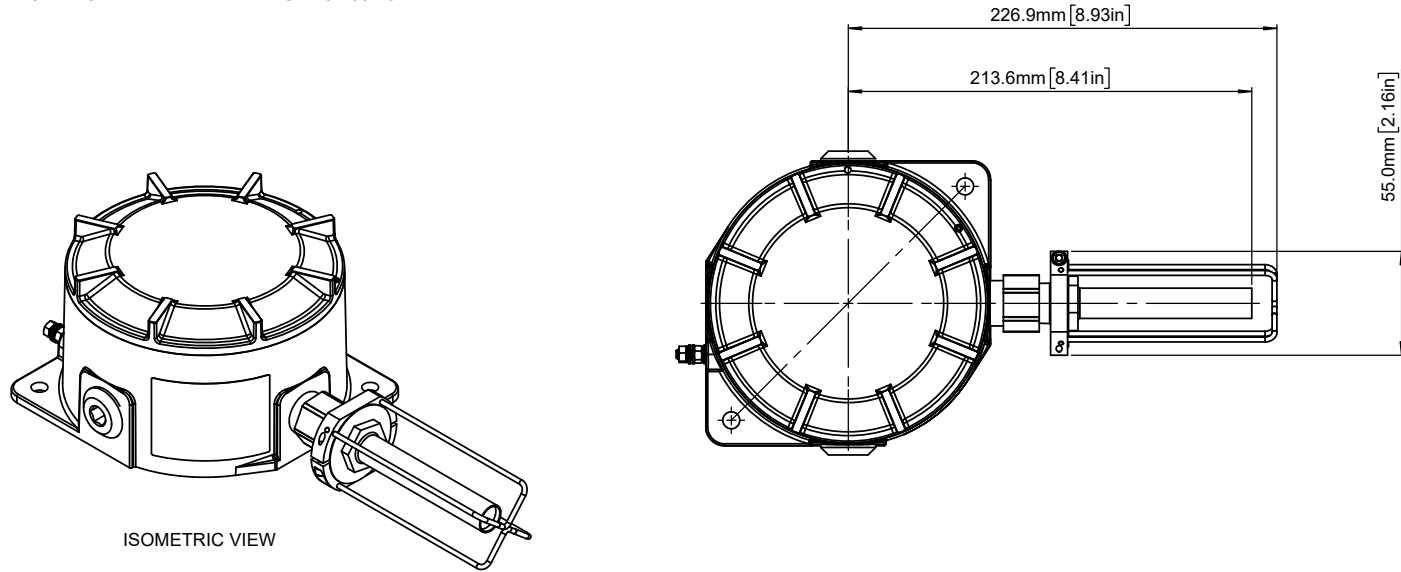


ALL DIMENSIONS IN MM IF IN DOUBT, ASK - DO NOT SCALE		<b>A2</b>
TITLE STExH1 HEAT DETECTOR - OUTLINE DRAWING		
SCALE 1:1	SHEET 1 OF 2	DRAWING NUMBER <b>D255-05-101</b>

E2S PART No.	DESCRIPTION	DATA REFERENCE
STExH1	STExH1 HEAT DETECTOR	1-27-030

ISSUE	MOD No.	REASON - INITIAL - DATE
1		INTRODUCTION RNP 10-05-2024

NOTE:-  
FOR OPTIONAL DUTY LABEL SEE DRAWING D254-00-081  
FOR OPTION TAG PLATE SEE DRAWING D254-00-151



DRAWING TO BS8888:2000 GEOMETRIC TOLERANCES TO ISO1101:1983 LINEAR DIMENSIONAL TOLS ANGULAR DIMENSIONAL TOLS	DRAWN R.N.POTTS	DATE 10-05-2024	SURFACE FINISH	WEIGHT (kg)	THIS DRAWING AND ANY INFORMATION OR DESCRIPTIVE MATTER THEREIN IS COMMUNICATED IN CONFIDENCE AND IS THE COPYRIGHT PROPERTY OF EUROPEAN SAFETY SYSTEMS LTD. NEITHER THE WHOLE OR ANY EXTRACT MAY BE DISCLOSED, LOANED, COPIED OR USED FOR MANUFACTURING OR TENDERING PURPOSES WITHOUT THEIR WRITTEN CONSENT.  EUROPEAN SAFETY SYSTEMS LTD. AS PER LATEST DATE OF ISSUE SHOWN ABOVE	 EUROPEAN SAFETY SYSTEMS LTD IMPRESS HOUSE MANSELL ROAD ACTON LONDON W3 7QH WWW.E2S.COM	ALL DIMENSIONS IN MM IF IN DOUBT, ASK - DO NOT SCALE		<b>A2</b>
	CHECKED R.RAIT	DATE 10-05-2024	MATERIAL				TITLE STExH1 HEAT DETECTOR - OUTLINE DRAWING		
	STANDARDS STExH1	APPROVED R.N.POTTS	DATE 10-05-2024	ALTERNATIVE MATERIAL				SCALE 1:1	SHEET 2 OF 2