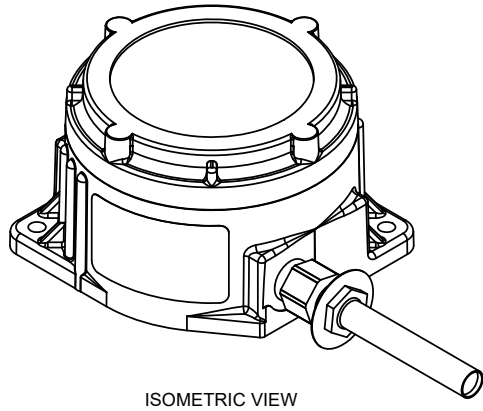


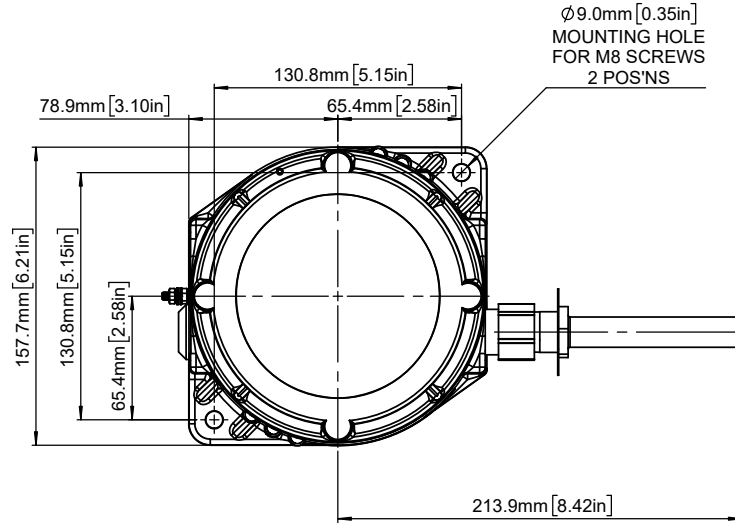
E2S PART No.	DESCRIPTION	DATA REFERENCE
GNExH1	GNExH1 HEAT DETECTOR	1-27-020

ISSUE	MOD No.	REASON - INITIAL - DATE
1		INTRODUCTION RNP 10-05-2024

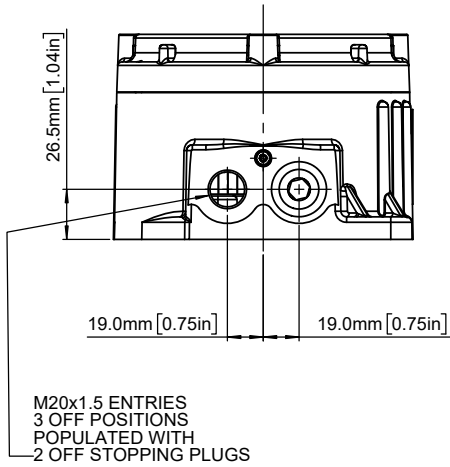
NOTE:-
FOR OPTIONAL DUTY LABEL SEE DRAWING D254-00-081
FOR OPTION TAG PLATE SEE DRAWING D254-00-151



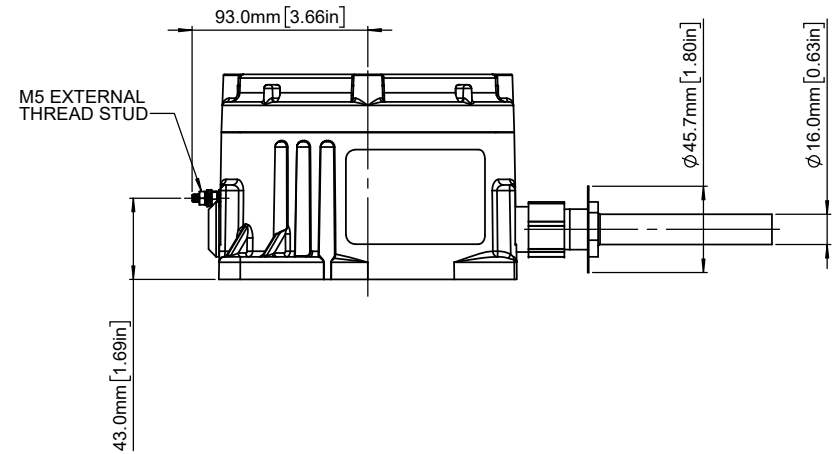
ISOMETRIC VIEW



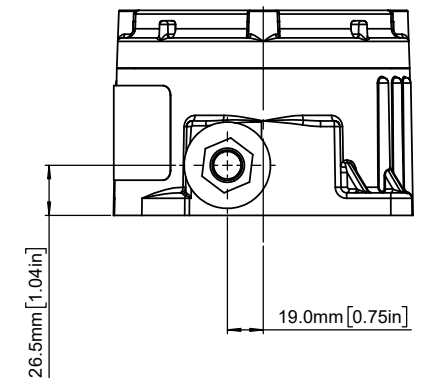
Ø9.0mm [0.35in]
MOUNTING HOLE
FOR M8 SCREWS
2 POS'NS



M20x1.5 ENTRIES
3 OFF POSITIONS
POPULATED WITH
2 OFF STOPPING PLUGS



M5 EXTERNAL
THREAD STUD

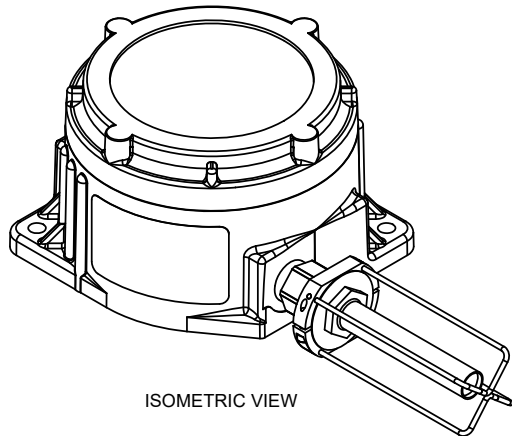


DRAWING TO BS8888:2000 GEOMETRIC TOLERANCES TO ISO1101:1983 LINEAR DIMENSIONAL TOLS ANGULAR DIMENSIONAL TOLS	DRAWN	DATE	SURFACE FINISH	WEIGHT (kg)	THIS DRAWING AND ANY INFORMATION OR DESCRIPTIVE MATTER THEREIN IS COMMUNICATED IN CONFIDENCE AND IS THE COPYRIGHT PROPERTY OF EUROPEAN SAFETY SYSTEMS LTD. NEITHER THE WHOLE OR ANY EXTRACT MAY BE DISCLOSED, LOANED, COPIED OR USED FOR MANUFACTURING OR TENDERING PURPOSES WITHOUT THEIR WRITTEN CONSENT.	 EUROPEAN SAFETY SYSTEMS LTD IMPRESS HOUSE MANSELL ROAD ACTON LONDON W3 7QH WWW.E2S.COM	ALL DIMENSIONS IN MM IF IN DOUBT, ASK - DO NOT SCALE		A2	
	CHECKED	DATE								ALTERNATIVE MATERIAL
	APPROVED	DATE								
STANDARDS	R.N.POTTS 10-05-2024		R.RAIT 10-05-2024		EUROPEAN SAFETY SYSTEMS LTD. AS PER LATEST DATE OF ISSUE SHOWN ABOVE		TITLE	GNExH1 HEAT DETECTOR - OUTLINE DRAWING		
GNExH1	R.N.POTTS 10-05-2024		R.RAIT 10-05-2024				SCALE	SHEET	DRAWING NUMBER	
							1:1	1 OF 2	D255-05-201	

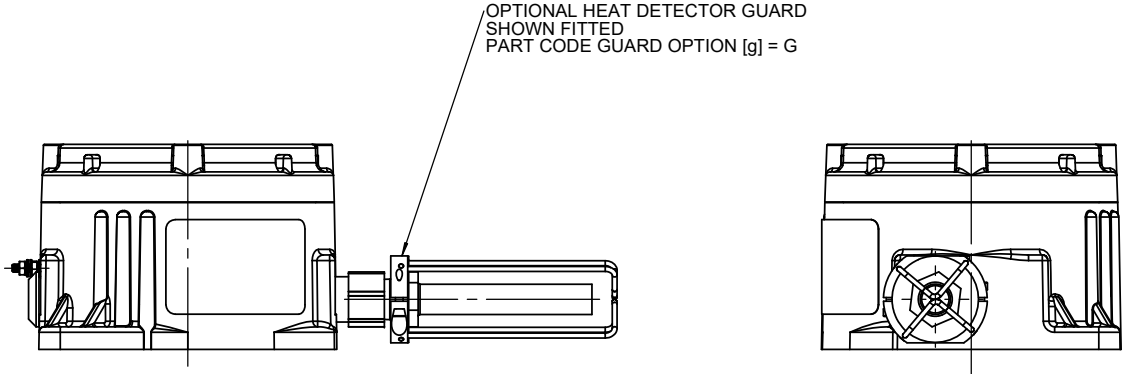
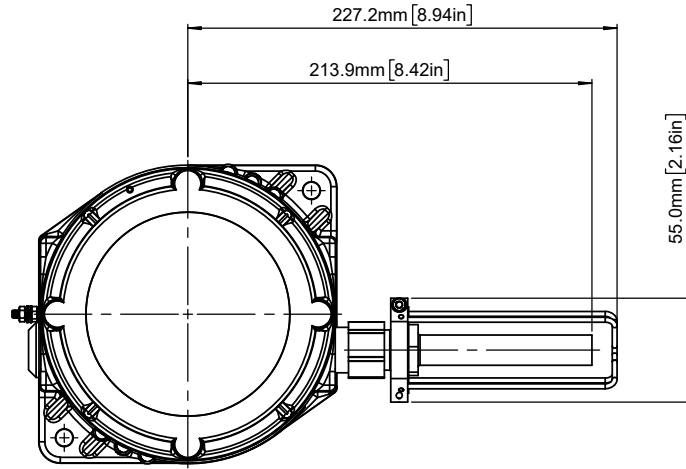
E2S PART No.	DESCRIPTION	DATA REFERENCE
GNExH1	GNExH1 HEAT DETECTOR	1-27-020

ISSUE	MOD No.	REASON - INITIAL - DATE
1		INTRODUCTION RNP 10-05-2024

NOTE:-
FOR OPTIONAL DUTY LABEL SEE DRAWING D254-00-081
FOR OPTION TAG PLATE SEE DRAWING D254-00-151



ISOMETRIC VIEW



DRAWING TO BS8888:2000 GEOMETRIC TOLERANCES TO ISO1101:1983 LINEAR DIMENSIONAL TOLS ANGULAR DIMENSIONAL TOLS	DRAWN R.N.POTTS	DATE 10-05-2024	SURFACE FINISH	WEIGHT (kg)	THIS DRAWING AND ANY INFORMATION OR DESCRIPTIVE MATTER THEREIN IS COMMUNICATED IN CONFIDENCE AND IS THE COPYRIGHT PROPERTY OF EUROPEAN SAFETY SYSTEMS LTD. NEITHER THE WHOLE OR ANY EXTRACT MAY BE DISCLOSED, LOANED, COPIED OR USED FOR MANUFACTURING OR TENDERING PURPOSES WITHOUT THEIR WRITTEN CONSENT. EUROPEAN SAFETY SYSTEMS LTD. AS PER LATEST DATE OF ISSUE SHOWN ABOVE	 EUROPEAN SAFETY SYSTEMS LTD IMPRESS HOUSE MANSELL ROAD ACTON LONDON W3 7QH WWW.E2S.COM	ALL DIMENSIONS IN MM IF IN DOUBT, ASK - DO NOT SCALE	 A2
	CHECKED R.RAIT	DATE 10-05-2024	MATERIAL	TITLE GNExH1 HEAT DETECTOR - OUTLINE DRAWING				
	STANDARDS GNExH1	APPROVED R.N.POTTS	DATE 10-05-2024	ALTERNATIVE MATERIAL			SCALE 1:1	