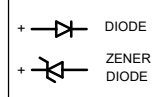


HEAT DETECTOR DEVICES

SHEET 1

PRODUCTS: D1xH1 ; STExH1	Diagram	Sheet
	Standard Switch Wiring Configurations	1
	LED Indicator Wiring Configurations	2

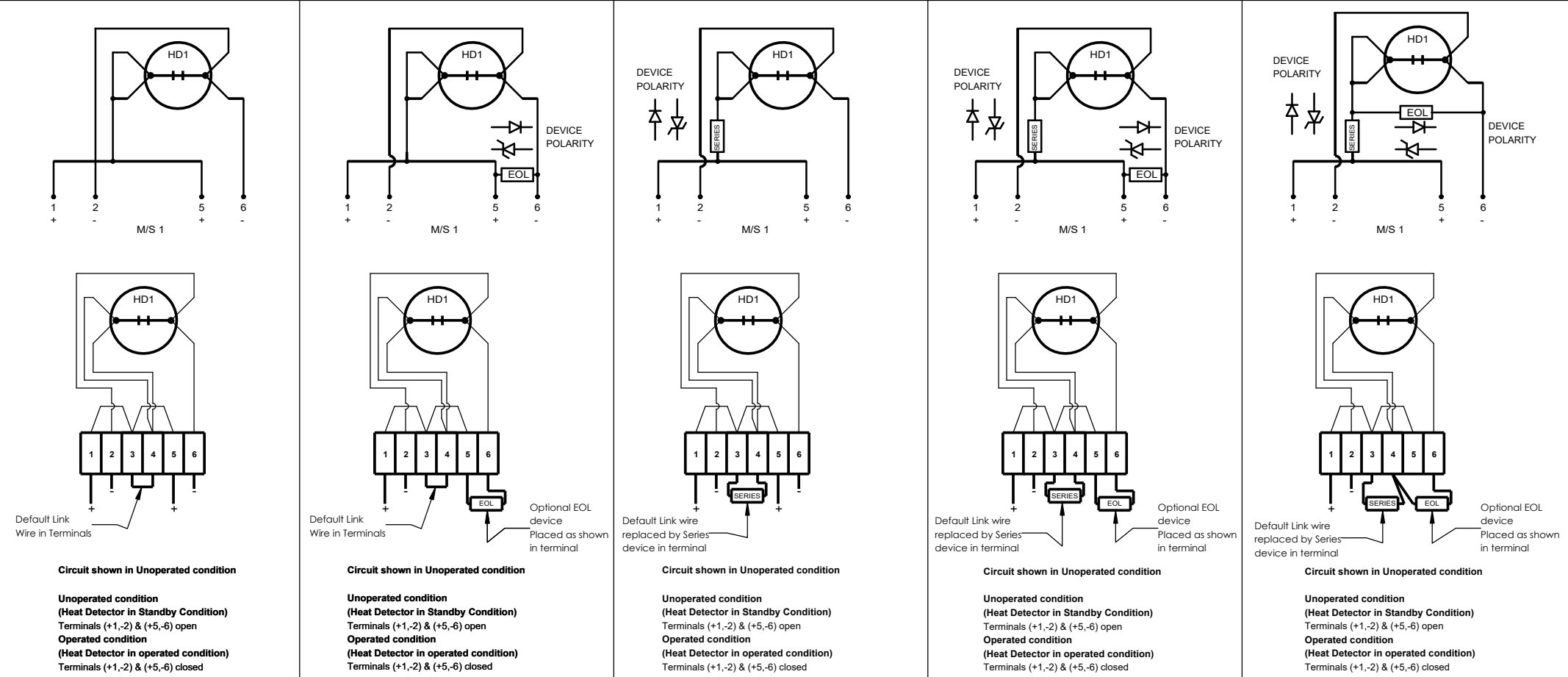


Module Device Codes		
	EOL	Series
Resistor	ExxxR	SxxxR
Diode	ED1	SD1
Zener Diode	ExxxZ	SxxxZ
LED	N/A	L or C

ISSUE	MOD No.	REASON - INITIAL - DATE
1		INTRODUCTION RNP 10-05-2024

HEAT DETECTOR	CONFIG. A1-1	HEAT DETECTOR WITH EOL DEVICE	CONFIG. A1-2	HEAT DETECTOR WITH SERIES DEVICES	CONFIG. A1-3	HEAT DETECTOR WITH EOL & SERIES DEVICES	CONFIG. A1-4	HEAT DETECTOR WITH EOL & ALT. SERIES DEVICES	CONFIG. A1-5
---------------	--------------	-------------------------------	--------------	-----------------------------------	--------------	---	--------------	--	--------------

PRODUCT VERSION [v]	[A]	Ex d	PRODUCT VERSION [v]	[A]	Ex d	PRODUCT VERSION [v]	[A]	Ex d	PRODUCT VERSION [v]	[A]	Ex d
PRODUCT OPTION [o]	[1]	Default	PRODUCT OPTION [o]	[1]	Default	PRODUCT OPTION [o]	[1]	Default	PRODUCT OPTION [o]	[W]	Alt. EOL Pos'n.
LED INDICATOR [u]	[N]	NO LED	LED INDICATOR [u]	[N]	NO LED	LED INDICATOR [u]	[N]	NO LED	LED INDICATOR [u]	[N]	NO LED
SERIES MODULE [e]	[Exxxx]	EOL	SERIES MODULE [e]	[Exxxx]	EOL	SERIES MODULE [s]	[Sxxxx]	Series	MODULE [e][s]	[Exxxx]	EOL + Series



DRAWING TO BS8888:2000 GEOMETRIC TOLERANCES TO ISO1101:1983 LINEAR DIMENSIONAL TOLS ANGULAR DIMENSIONAL TOLS	DRAWN	DATE	SURFACE FINISH	WEIGHT (Kg)	THIS DRAWING AND ANY INFORMATION OR DESCRIPTIVE MATTER THEREIN IS COMMUNICATED IN CONFIDENCE AND IS THE COPYRIGHT PROPERTY OF EUROPEAN SAFETY SYSTEMS LTD. NEITHER THE WHOLE OR ANY EXTRACT MAY BE DISCLOSED, LOANED, COPIED OR USED FOR MANUFACTURING OR TENDERING PURPOSES WITHOUT THEIR WRITTEN CONSENT.	 EUROPEAN SAFETY SYSTEMS LTD IMPRESS HOUSE MANSELL ROAD ACTON LONDON W3 7QH WWW.E2S.COM	ALL DIMENSIONS IN MM IF IN DOUBT, ASK - DO NOT SCALE			 A3
	CHECKED	DATE					TITLE D1xH1-A & -H ; STExH1-A & -H Ex d HEAT DETECTOR WIRING / CIRCUIT OPERATION DIAGRAM			
	STANDARDS D1xH1-A ; D1xH1-H STExH1-A ; STExH1-H	APPROVED	DATE	ALTERNATIVE MATERIAL			(C) EUROPEAN SAFETY SYSTEMS LTD. AS PER LATEST DATE OF ISSUE SHOWN ABOVE	SCALE	SHEET	DRAWING NUMBER
	R.N.POTTS	10-05-2024					NTS	1 OF 2	D255-06-001	
	B.ISARD	10-05-2024								
	R.N.POTTS	10-05-2024								

HEAT DETECTOR WITH LED DEVICES

SHEET 2

Module Device Codes

	EOL	Series
Resistor	ExxxR	SxxxR
Diode	ED1	SD1
Zener Diode	ExxxZ	SxxxZ
LED	N/A	L or C

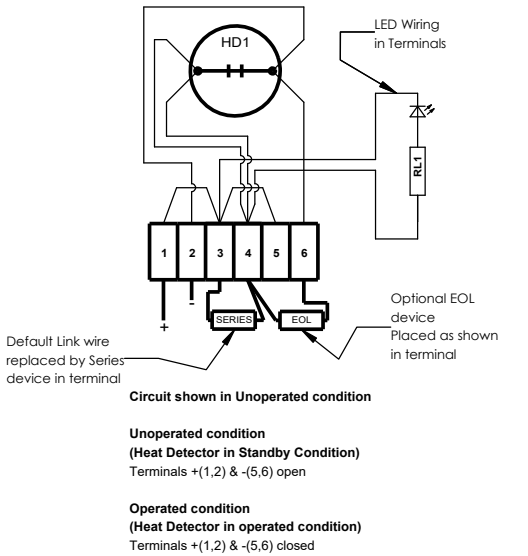
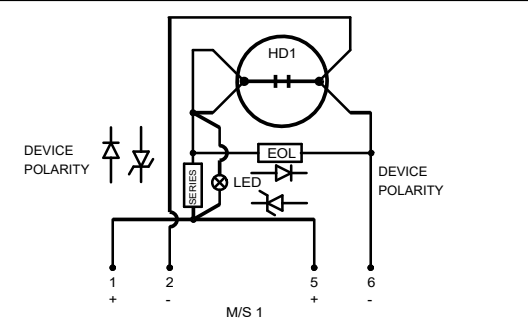
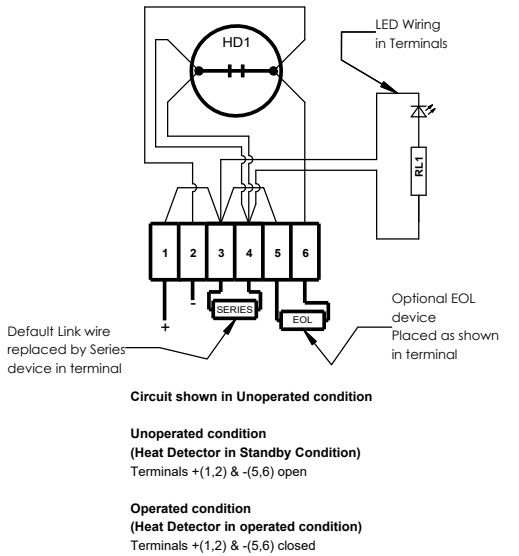
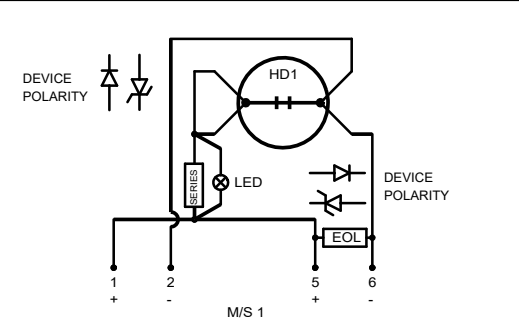
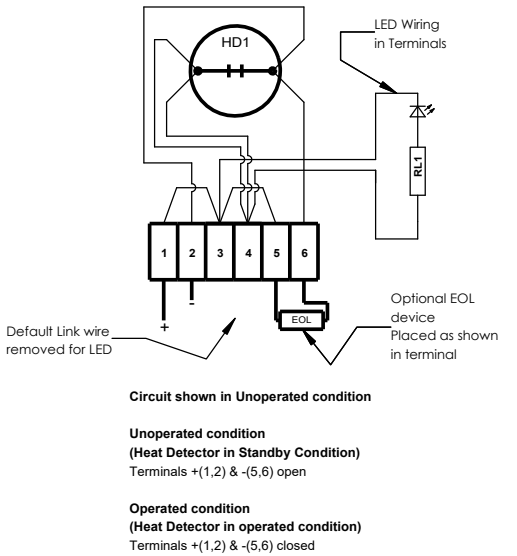
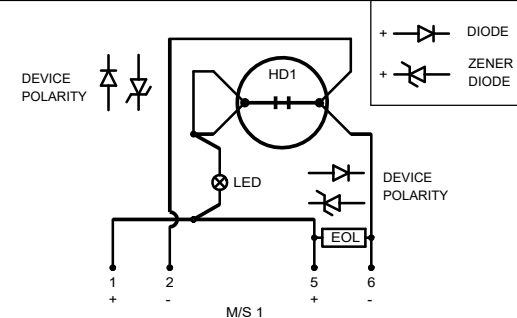
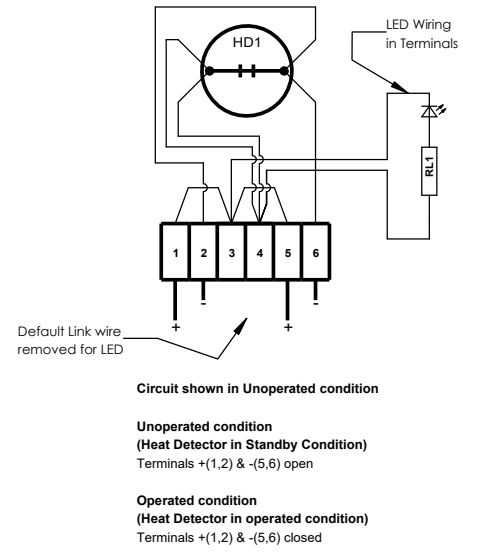
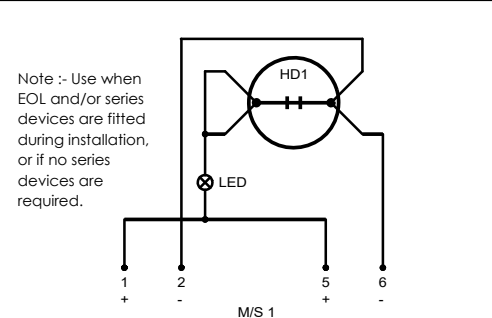
ISSUE	MOD No.	REASON - INITIAL - DATE
1		INTRODUCTION RNP 10-05-2024

Notes:

- LED option 'L': LED contains the 1.5K Ohm series current-limiting resistor RL1.
LED option 'C': LED does not contain a current-limiting resistor. System current must be <20mA.
All schematic diagrams below show option 'L' LED - remove RL1 for 'C' LED option.

HEAT DETECTOR WITH LED ONLY	CONFIG. A2-1	HEAT DETECTOR WITH LED & EOL DEVICE	CONFIG. A2-2	HEAT DETECTOR WITH LED EOL & SERIES DEVICES	CONFIG. A2-3	HEAT DETECTOR WITH LED, EOL & ALT. SERIES DEVICE	CONFIG. A2-4
-----------------------------	--------------	-------------------------------------	--------------	---	--------------	--	--------------

PRODUCT VERSION [v] [A] PRODUCT OPTION [o] [1] LED INDICATOR [u] [L]	Ex d Default LED with RL1	PRODUCT VERSION [v] [A] PRODUCT OPTION [o] [1] LED INDICATOR [u] [L] MODULE [E] [Exxxx]	Ex d Default LED with RL1 EOL Device	PRODUCT VERSION [v] [A] PRODUCT OPTION [o] [1] LED INDICATOR [u] [L] MODULES [e] [s] [Exxxx] [Sxxxx]	Ex d Default LED with RL1 EOL + Series	PRODUCT VERSION [v] [A] PRODUCT OPTION [o] [W] LED INDICATOR [u] [L] MODULE [e] [s] [Exxxx] [Sxxxx]	Ex d Alt. EOL Pos'n. LED with RL1 EOL + Series
--	---------------------------------	--	---	---	---	--	---



DRAWING TO BS8888:2000
GEOMETRIC TOLERANCES TO ISO1101:1983
LINEAR DIMENSIONAL TOLS
ANGULAR DIMENSIONAL TOLS

STANDARDS
D1xH1-A ; D1xH1-H
STExH1-A ; STExH1-H

DRAWN R.N.POTTS DATE 10-05-2024

CHECKED B.ISARD DATE 10-05-2024

APPROVED R.N.POTTS DATE 10-05-2024

SURFACE FINISH WEIGHT (Kg)

MATERIAL

ALTERNATIVE MATERIAL

THIS DRAWING AND ANY INFORMATION OR DESCRIPTIVE MATTER THEREIN IS COMMUNICATED IN CONFIDENCE AND IS THE COPYRIGHT PROPERTY OF EUROPEAN SAFETY SYSTEMS LTD. NEITHER THE WHOLE OR ANY EXTRACT MAY BE DISCLOSED, LOANED, COPIED OR USED FOR MANUFACTURING OR TENDERING PURPOSES WITHOUT THEIR WRITTEN CONSENT.

EUROPEAN SAFETY SYSTEMS LTD.
AS PER LATEST DATE OF ISSUE SHOWN ABOVE

e2s warning signals
EUROPEAN SAFETY SYSTEMS LTD
IMPRESS HOUSE
MANSELL ROAD
ACTON
LONDON W3 7QH
WWW.E2S.COM

ALL DIMENSIONS IN MM
IF IN DOUBT, ASK -
DO NOT SCALE

A3

TITLE
D1xH1-A & -H ; STExH1-A & -H Ex d HEAT DETECTOR
WIRING / CIRCUIT OPERATION DIAGRAM

SCALE NTS SHEET 2 OF 2 DRAWING NUMBER
D255-06-001